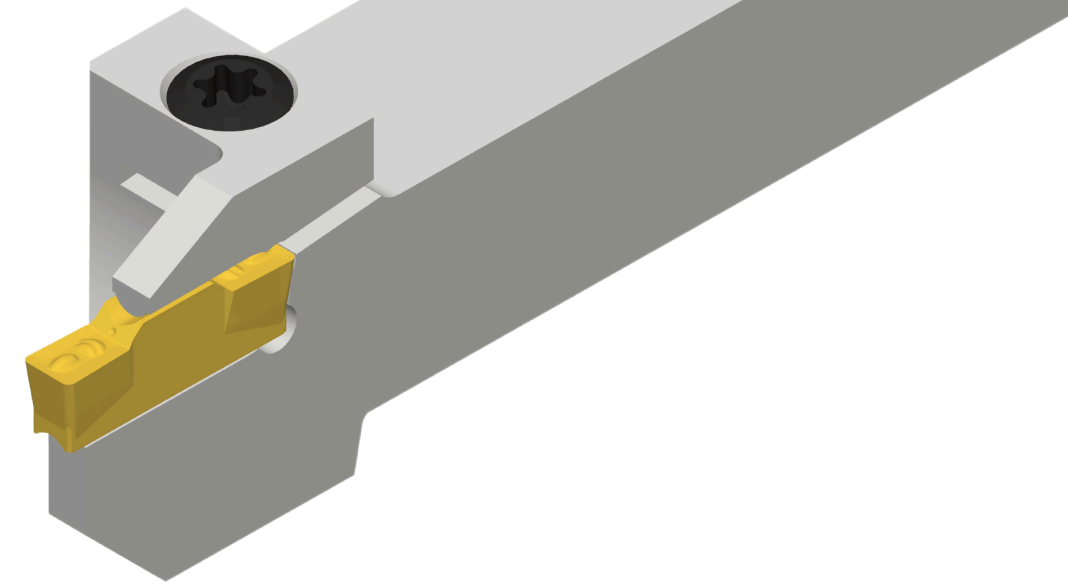


## Duracarb Grooving Line New Product Announcement



# Introducing D-Cut holders for Swiss Machines and Automats

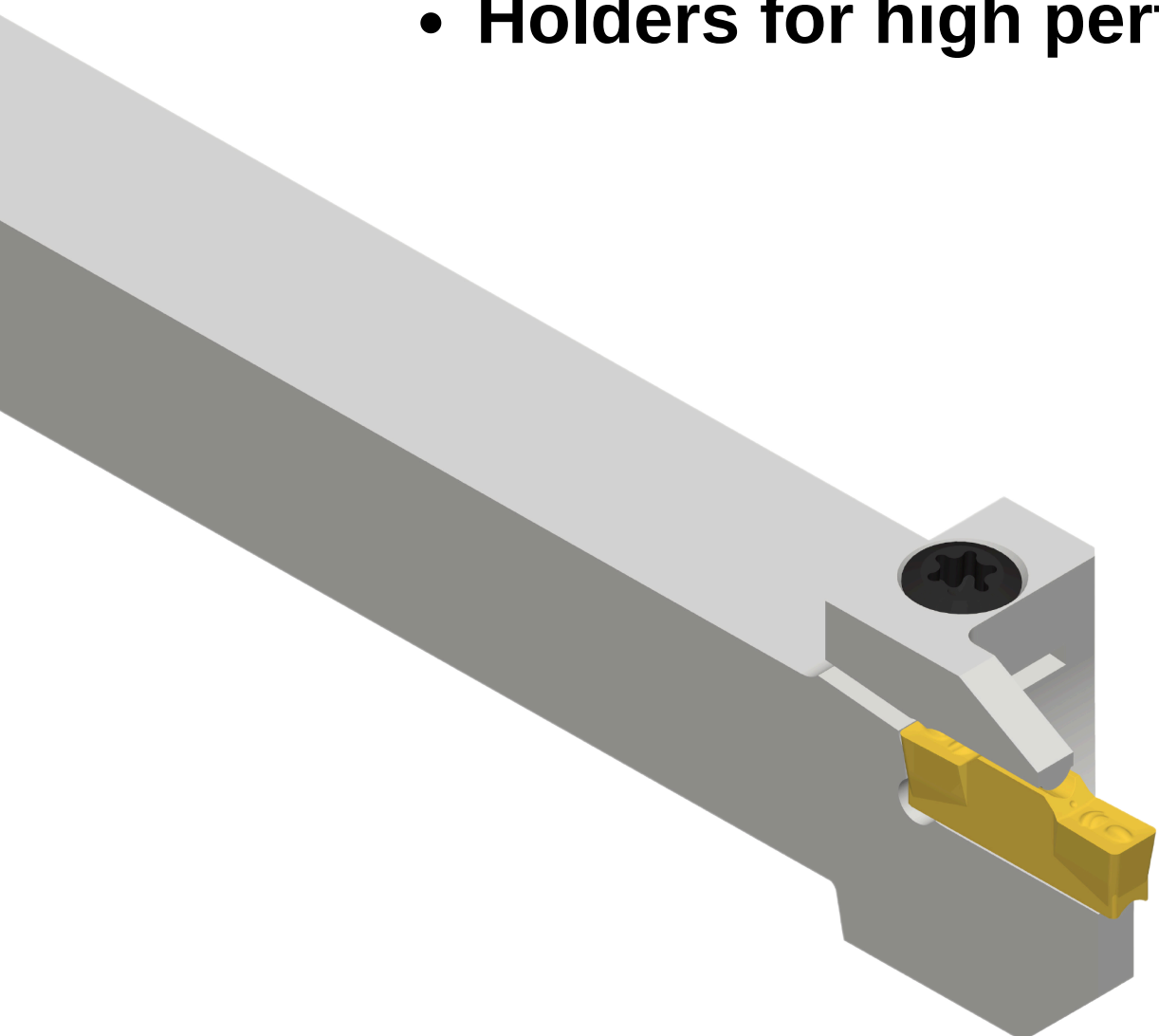
## Elevate Efficiency and Productivity in Swiss Machining

Duracarb is making inroads to the exciting industry of miniature machining which is dominated by Swiss machines and Automats. To cater to the demands of the miniature industry, Duracarb will offer holders especially suited to these machines.

We are pleased to expand our immensely successful D-Cut family for grooving & parting, to include new holders for the miniature market.

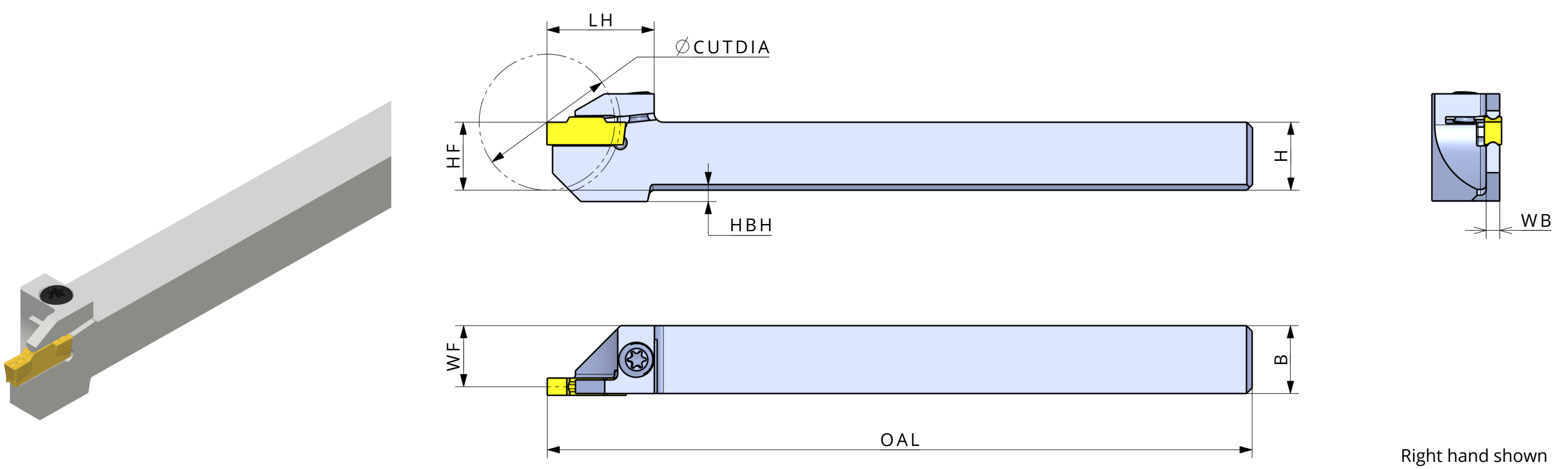
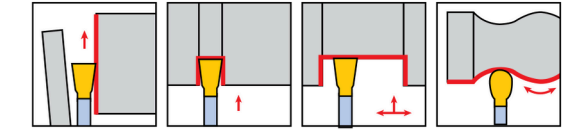
### Feature highlights:

- Reinforced grooving/parting blade for excellent rigidity.
- Small shank size 16x16 & 12x12 especially suited to Swiss Machines and Automats.
- Holders for high performance 2, 3 & 4mm D-Cut inserts.



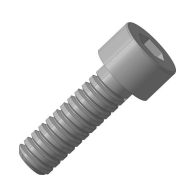
## Duracarb Grooving Line New Product Announcement

### D-Cut Swiss Holder



Designation		Insert seat size	Dimension (mm)									Insert
			H	HF	B	OAL	LH	WF	WB	HBH	CUTDIA	
DCER/L	12-24-2SH	2	12	12	12	125	19	11.1	1.8	2	24	DDL/ DDM
	16-24-2SH	2	16	16	16	125	19	15.1	1.8	-	24	
	12-24-3SH	3	12	12	12	125	19	10.8	2.4	2	24	DDL/ DDM/ DDG
	16-24-3SH	3	16	16	16	125	19	14.8	2.4	-	24	
	12-24-4SH	4	12	12	12	125	19	10.5	3.0	2	24	
	16-24-4SH	4	16	16	16	125	19	14.5	3.0	-	24	

### Spare Parts

Designation	Screw	Wrench
		
DCER/L 12-24-...SH	DS 40093I-TS	DTFW-15
DCER/L 16-24-...SH	DS 40093I-TS	DTFW-15

Note: Available in store for testing